



**Special School District of St. Louis County
Door Replacement at
Neuwoehner Hight School
12112 Clayton Road
St. Louis, Missouri 63131**

ADDENDUM #2

Date: August 8, 2019

Prepared For: Special School District of St. Louis County

SSD Project Number: SSD-100-20
Project Number: 18004

Architect: Dickinson Hussman Architects
11 East Lockwood Avenue
Suite 200
St. Louis, Missouri 63119
314-727-8500

This addendum is hereby made part of the contract documents of the above referenced project. This addendum supplements and/or amends the originally issued documents and all related addenda.

GENERAL INFORMATION:

1. Through bolting is allowed for door closure devices.

SPECIFICATION ADDENDUM

1. **REPLACE** existing Attachment #6 (4 pages) with new Attachment #6 (5 pages)
2. 08710 – Door Hardware, Part 2 – Products, Paragraph 2.05 Exit Devices **ADD** NO SUB after Note 1 and **REMOVE** Note 2.
3. 08710 – Door Hardware, Part 2 – Products, Paragraph 2.08 Door Closers **ADD** NO SUB after Note 1 and **REMOVE** Note 2.
4. 08710 – Door Hardware, Hardware Group NO. 02.1 **Change** quantity from (1) to (2) for Panic Hardware
5. 08710 – Door Hardware, Hardware Group NO. 03.1 **Remove** Door Contact
6. 08710 – Door Hardware, Hardware Group NO. 03.2 **Remove** Door Contacts
7. 08710 – Door Hardware, Hardware Group NO. 08.7 **Change** quantity from (1) to (2) for Panic Hardware

August 8, 2019
Special School District of St. Louis County
Door Replacement at
Neuwoehner High School
SSD Project Number: SSD-100-20
Project Number: 18004
Addendum #2
Page 2 of 2

DRAWING ADDENDUM

1. A6.1 DOOR SCHEDULE, DOOR TYPES
 - a. **ADD** the prefix "PR" in front of the door sizes listed under the SIZE column of the door schedule for the following doors: B113, C103 and XC143
 - b. **CHANGE** Door 107A door type from A to A1
 - c. **REMOVE** Transom called out for Door 137A
 - d. **CHANGE** General Note 1 to read: CAREFULLY REMOVE ALL EXISTING NON-ELECTROMAGNETIC FLOOR MOUNTED DOOR HOLD OPEN DEVICES TO AVOID EXCESSIVE DAMAGE TO THE EXISTING TERAZZO FLOORING AND PATCH FLOOR AS REQUIRED. FLOOR PATCHING TO BE DONE WITH AN EPOXY MIXTURE THAT IS BLENDED IN WITH THE EXISTING FLOOR.
 - e. See supplemental drawing **SDA-01** for the addition of detail 2/A6.1 – TYP. DOOR / TRANSOM HEAD DETAIL
 - f. See Supplemental drawing **SDA-02** for addition of detail 3/A6.1 – TYP. WOOD TRANSOM CONNECTION DETAIL
 - g. See Supplemental drawing **SDA-03** for addition of detail 4/A6.1 – TYP. HOLLOW METAL TRANSOM CONNECTION DETAIL

ATTACHMENTS:

1. Attachment #6 Minority and Women Business Program (5 pages)
2. 08710 Door Hardware CHANGES (4 pages)
3. Supplemental Architectural Drawing **SDA-01** (8.5x11)
4. Supplemental Architectural Drawing **SDA-02** (8.5x11)
5. Supplemental Architectural Drawing **SDA-03** (8.5x11)

END OF ADDENDUM 2

MINORITY AND WOMEN BUSINESS PROGRAM

The purpose of the Special School District of St. Louis County Minority Business Enterprise and Women Business Enterprise (MBE/WBE/DBE/SDVE) Program is to promote greater and more consistent participation in District programs. The District is committed to the principles of the program for the following purposes:

1. To achieve equal opportunity for MBE/WBE/DBE/SDVE companies to perform projects on behalf of the District.
2. To ensure that the District does not deny equal opportunity of participation to firms conducting business with the District because of race or gender.
3. To outline steps to be taken by the Superintendent through designated employees of the District to promote throughout the District the fulfillment of the district's MBE/WBE/DBE/SDVE policies.

Definitions

For purposes of this administrative program, the following shall apply:

Minority and Women Business Enterprise – A business enterprise which is, at minimum, 51 percent owned by one (1) or more minority or women individuals, or in the case of a corporation, at minimum, 51 percent of the stock is owned by one (1) or more minority or women individuals. Daily business operations are independently controlled by one (1) or more minority or women owners.

Disadvantage and Service-Disabled Veteran Enterprise – A business enterprise which is, at minimum, 51 percent owned by one (1) or more socially and economically disadvantaged persons, or service-disabled veterans, or in the case of a corporation, at minimum, 51 percent of the stock is owned by one (1) or more disadvantaged or service-disabled veterans. Daily management and business operations are independently controlled by one (1) or more of the individuals.

Construction Project – Any construction or renovation program with a value of \$100,000 or more awarded by the district, and whose cost is to be paid from funds belonging to or administered by the district, regardless of source.

Non-Compliance – Any company that fails to comply with this administration policy and/or this program's operating procedures; or any company that fails to comply with the MBE/WBE/DBE/SDVE terms of the contract, or any company that fails to use the MBE/WBE/DBE/SDVE as stated in the bid, shall constitute Non-Compliance.

Non-Responsive – Any company that fails to properly complete the MBE/WBE/DBE/SDVE Subcontractor Utilization Form or the Subcontractor Solicitation Form (as applicable) provided in the bid package shall be considered Non-Responsive.

ATTACHMENT #6
MBE/WBE/DBE/SDVE continued

Implementation of Program

This program shall be implemented by the Superintendent or designee. The District will be responsible for monitoring the program and will ensure that the District's annual goals are consistently achieved. A reporting system will be developed and maintained to provide for the continuous monitoring and evaluation of all contracts let by the District to assure compliance.

Recommended Goal and Procedures

The District is committed to involving MBE/WBE/DBE/SDVE firms in all District projects. As such, the District has established a MBE/WBE/DBE/SDVE combined goal of 15%. This goal will become part of the specifications of the RFP package. All MBE/WBE/DBE/SDVE firms whose efforts will go towards satisfying the 15% goal must be certified by one or more of the following agencies on or before the date of the bid opening:

- Missouri Regional Certification Committee
- City of St. Louis (St. Louis Development Corporation/Airport Authority)
- Missouri State Certification
- Women's Business Enterprise National Council

A response to the RFP that has achieved the participation goals and provided said information on the Subcontractor Utilization Form will be in compliance with this specification.

In the event a respondent to an RFP cannot achieve the goals for MBE/WBE/DBE/SDVE participation, they must then provide documentation and be able to demonstrate that positive efforts were initiated prior to submittal of a response on the Subcontractor Solicitation Form.

NOTE: Failure to provide evidence of the required positive efforts will result in the rejection of the proposal as non-responsive or non-compliant.

Non-Compliance and Non-Responsive

The District will consider a company non-compliant if that company fails to comply with this administrative procedure or if the company fails to comply with MBE/WBE terms of a contract, or if the company fails to use the MBE/WBE/DVE/SDVE as stated in the bid.

SPECIAL SCHOOL DISTRICT
SUBCONTRACTOR UTILIZATION FORM

Project number/name: _____

General Contractor: _____

| Work/Trade to be subcontracted | MBE/WBE/DBE/SDVE Firm Name | Subcontract amount |
|-----------------------------------|-------------------------------|--------------------|
| | | \$ _____ |
| | | \$ _____ |
| | | \$ _____ |
| | | \$ _____ |
| | | \$ _____ |
| | | \$ _____ |

SUBTOTAL: \$ _____

MBE/WBE/DBE/SDVE TOTAL: \$ _____

GRAND TOTAL: \$ _____

Percentage of Work: MBE _____ **WBE** _____ **DBE** _____ **SDVE** _____

SPECIAL SCHOOL DISTRICT
SUBCONTRACTOR SOLICITATION FORM

Project name/number: _____

Prime Contractor: _____

I have contacted the following MBE/WBE/DBE/SDVE businesses and will not subcontract with them due to the reasons cited below: (Attached additional pages as necessary)

Firm Name/Contact Person:

Address:

Contact Number(s):

Reason not utilized:

Firm Name/Contact Person:

Address:

Contact Number(s):

Reason not utilized:

Firm Name/Contact Person:

Address:

Contact Number(s):

Reason not utilized:

ATTACHMENT #6
MBE/WBE/DBE/SDVE continued

Special School District is requesting all prospective bidders submit a breakdown of their current employee workforce. Please list what percentage of your workforce would be included in the following race/ethnicity categories:

American Indian _____

Asian _____

Black/African American _____

Caucasian _____

Hispanic/Latino _____

Other _____

2.05 EXIT DEVICES

A. Manufacturers and Products:

1. Scheduled Manufacturer and Product: Von Duprin 99/33A series - No Sub.
2. ~~Acceptable Manufacturers and Products: Detex Advantex series, Precision APEX 2000 series, Sargent 19-43-GL-80 series.~~

2.08 DOOR CLOSERS

B. Manufacturers and Products:

1. Scheduled Manufacturer and Product: LCN 4050 series - No Sub
2. ~~Acceptable Manufacturers and Products: Falcon SC70A series, Norton 7500 series, Sargent 351 series, Yale 4400 series.~~

HARDWARE GROUP NO. 02.1

For use on Door #(s):

A153 A156 C103 C106 D108

Provide each PR door(s) with the following:

| QTY | EA | DESCRIPTION | CATALOG NUMBER | ITEMID | FINISH | MFR |
|--------------|---------------|---------------------------|---------------------------------|--------|----------------|----------------|
| 2 | EA | CONT. HINGE | 224XY | | 628 | IVE |
| 4 | EA | PANIC HARDWARE | 9947WDC-L-LBR-06-SNB | | 626 | VON |
| <u>2</u> | <u>EA</u> | <u>PANIC HARDWARE</u> | <u>9947WDC-L-LBR-06-SNB</u> | | <u>626</u> | <u>VON</u> |
| 2 | EA | RIM HOUSING | AS REQ'D | | 626 | SCH |
| 2 | EA | FSIC CORE | CONST/DISP CORE | | 622 | SCH |
| 2 | EA | FSIC CORE | PERMANENT CORE | | 626 | SCH |
| 2 | EA | SURFACE CLOSER | 4050 REG OR PA AS REQ MC | | 689 | LCN |
| 2 | EA | KICK PLATE | 8400 10" X 1" LDW B-CS | | 630 | IVE |
| 2 | EA | FIRE/LIFE WALL MAG | EXISTING - REUSE | ↗ | 689 | LCN |
| 2 | EA | SILENCER | SR64 | | GRY | IVE |

REUSE EXISTING MAGNETIC HOLD OPENS

OPERATIONAL DESCRIPTION

BOTH LEAVES

CONCEALED ROD EXIT DEVICE. LESS BOTTOM ROD. FREE EGRESS AT ALL TIMES BY PRESSING PUSHBAR. ENTRY BY TURNING LEVER UNLESS LOCKED BY KEY. KEY LOCKS AND UNLOCKS LEVER
 SELF-CLOSING.

MAG HOLD OPENS TO RELEASE WITH ACTIVATION OF FIRE ALARM ALLOWING DOORS TO CLOSE.

SSD Neuwoehner
08710 Door Hardware
08-06-19

HARDWARE GROUP NO. 03.1

For use on Door #(s):

XA169

Provide each SGL door(s) with the following:

| QTY | | DESCRIPTION | CATALOG NUMBER | ITEMID | FINISH | MFR |
|----------|-----------|-----------------------|-------------------|----------|------------|------------|
| 1 | EA | CONT. HINGE | 112XY | | US28 | IVE |
| 1 | EA | PANIC HARDWARE | CD-99-NL-OP-110MD | | 626 | VON |
| 1 | EA | RIM HOUSING | AS REQ'D | | 626 | SCH |
| 1 | EA | MORT CYL HOUSING | AS REQ'D | | 626 | SCH |
| 2 | EA | FSIC CORE | KEYED CONST CORE | | 622 | SCH |
| 2 | EA | FSIC CORE | PERMANENT CORE | | 626 | SCH |
| 1 | EA | 90 DEG OFFSET PULL | 8190EZHD 12" O | | 630-316 | IVE |
| 1 | EA | SURFACE CLOSER | 4050 SCUSH MC | | 689 | LCN |
| 1 | EA | RAIN DRIP | 142AA | | AA | ZER |
| 1 | EA | GASKETING | 328AA-S | | AA | ZER |
| 1 | EA | DOOR SWEEP | 39A | | A | ZER |
| 1 | EA | THRESHOLD | 655A-223 | | A | ZER |
| 1 | EA | DOOR CONTACT | 679-05HM | * | BLK | SCE |

OPERATIONAL DESCRIPTION

RIM EXIT DEVICE. FREE EGRESS AT ALL TIMES BY PRESSING PUSHBAR. ENTRY BY PULL AFTER RETRACTING LATCHBOLT WITH KEY.

DOGGING BY KEYED CYLINDER LOCKS DOWN THE PUSHBAR SO THE LATCHBOLT REMAINS RETRACTED AND DOOR FUNCTIONS AS A PUSH/PULL.

SELF-CLOSING. SPRING LOADED STOP INCLUDED. PUSH SIDE MOUNTED.

DOOR POSITION SWITCH(S) MONITOR WHETHER THE DOOR IS OPEN OR CLOSED.

SSD Neuwoehner
08710 Door Hardware
08-06-19

HARDWARE GROUP NO. 03.2

For use on Door #(s):

XC143

Provide each PR door(s) with the following:

| QTY | | DESCRIPTION | CATALOG NUMBER | ITEMID | FINISH | MFR |
|----------|-----------|-----------------------|-------------------|----------|------------|------------|
| 2 | EA | CONT. HINGE | 112XY | | US28 | IVE |
| 1 | EA | REMOVABLE MULLION | KR4954 | | 689 | VON |
| 1 | EA | PANIC HARDWARE | CD-99-NL-OP-110MD | | 626 | VON |
| 1 | EA | PANIC HARDWARE | CD-99-EO | | 626 | VON |
| 4 | EA | FSIC CORE | KEYED CONST CORE | | 622 | SCH |
| 4 | EA | FSIC CORE | PERMANENT CORE | | 626 | SCH |
| 3 | EA | MORT CYL HOUSING | AS REQ'D | | 626 | SCH |
| 1 | EA | RIM HOUSING | AS REQ'D | | 626 | SCH |
| 2 | EA | 90 DEG OFFSET PULL | 8190EZHD 12" O | | 630-316 | IVE |
| 2 | EA | SURFACE CLOSER | 4050 SCUSH MC | | 689 | LCN |
| 1 | EA | MULLION SEAL | 8780NBK PSA | | BK | ZER |
| 1 | EA | GASKETING | 328AA-S | | AA | ZER |
| 1 | EA | RAIN DRIP | 142AA | | AA | ZER |
| 2 | EA | DOOR SWEEP | 39A | | A | ZER |
| 1 | EA | THRESHOLD | 655A-223 | | A | ZER |
| 2 | EA | DOOR CONTACT | 679-05HM | * | BLK | SCE |

OPERATIONAL DESCRIPTION

ACTIVE LEAF

RIM EXIT DEVICE. FREE EGRESS AT ALL TIMES BY PRESSING PUSHBAR. ENTRY BY PULL AFTER RETRACTING LATCHBOLT WITH KEY. DOGGING BY KEYED CYLINDER LOCKS DOWN THE PUSHBAR SO THE LATCHBOLT REMAINS RETRACTED AND DOOR FUNCTIONS AS A PUSH/PULL. SELF-CLOSING. SPRING LOADED STOP INCLUDED. PUSH SIDE MOUNTED.

INACTIVE LEAF

RIM EXIT DEVICE. FREE EGRESS AT ALL TIMES BY PRESSING PUSHBAR. ENTRY BY PULL WHEN DEVICE DOGGED DOWN. DOGGING BY KEYED CYLINDER LOCKS DOWN THE PUSHBAR SO THE LATCHBOLT REMAINS RETRACTED AND DOOR FUNCTIONS AS A PUSH/PULL. SELF-CLOSING. SPRING LOADED STOP INCLUDED. PUSH SIDE MOUNTED.

KEYED REMOVABLE MULLION

DOOR POSITION SWITCH(S) MONITOR WHETHER THE DOOR IS OPEN OR CLOSED.

SSD Neuwoehner
08710 Door Hardware
08-06-19

HARDWARE GROUP NO. 08.7

For use on Door #(s):

A100 B111 B113

Provide each PR door(s) with the following:

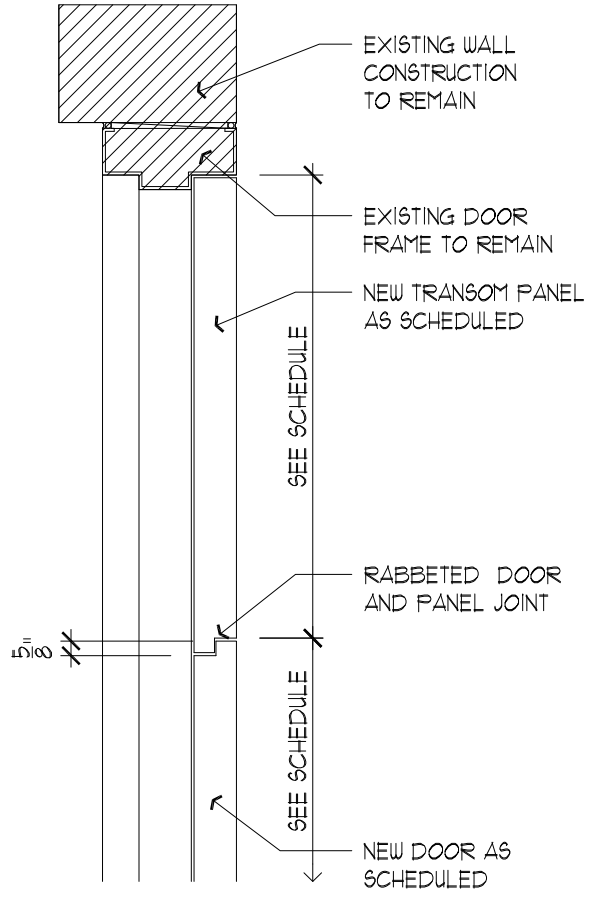
| QTY | | DESCRIPTION | CATALOG NUMBER | ITEMID | FINISH | MFR |
|----------|-----------|-----------------------|-----------------------------|--------|------------|------------|
| 2 | EA | CONT. HINGE | 224XY | | 628 | IVE |
| 4 | EA | PANIC HARDWARE | 9947WDC-L-LBR-06-SNB | | 626 | VON |
| 2 | EA | PANIC HARDWARE | 9947WDC-L-LBR-06-SNB | | 626 | VON |
| 2 | EA | RIM HOUSING | AS REQ'D | | 626 | SCH |
| 2 | EA | FSIC CORE | PERMANENT CORE | | 626 | SCH |
| 2 | EA | FSIC CORE | CONST/DISP CORE | | 622 | SCH |
| 2 | EA | SURFACE CLOSER | 4050 HEDA MC | | 689 | LCN |
| 2 | EA | KICK PLATE | 8400 10" X 1" LDW B-CS | | 630 | IVE |
| 2 | EA | WALL STOP | WS406/407CVX | | 630 | IVE |
| 2 | EA | SILENCER | SR64 | | GRY | IVE |

OPERATIONAL DESCRIPTION

BOTH LEAVES

CONCEALED ROD EXIT DEVICE. LESS BOTTOM ROD. FREE EGRESS AT ALL TIMES BY PRESSING PUSHBAR. ENTRY BY TURNING LEVER UNLESS LOCKED BY KEY. KEY LOCKS AND UNLOCKS LEVER

SELF-CLOSING. HEAVY DUTY ARM AND HOLD OPEN. PUSH SIDE MOUNTED. TEMPLATE FOR 180 DEGREE OPENING.



2

TYP. DOOR / TRANSOM HEAD DETAIL
 SCALE: 1 1/2"=1'-0"



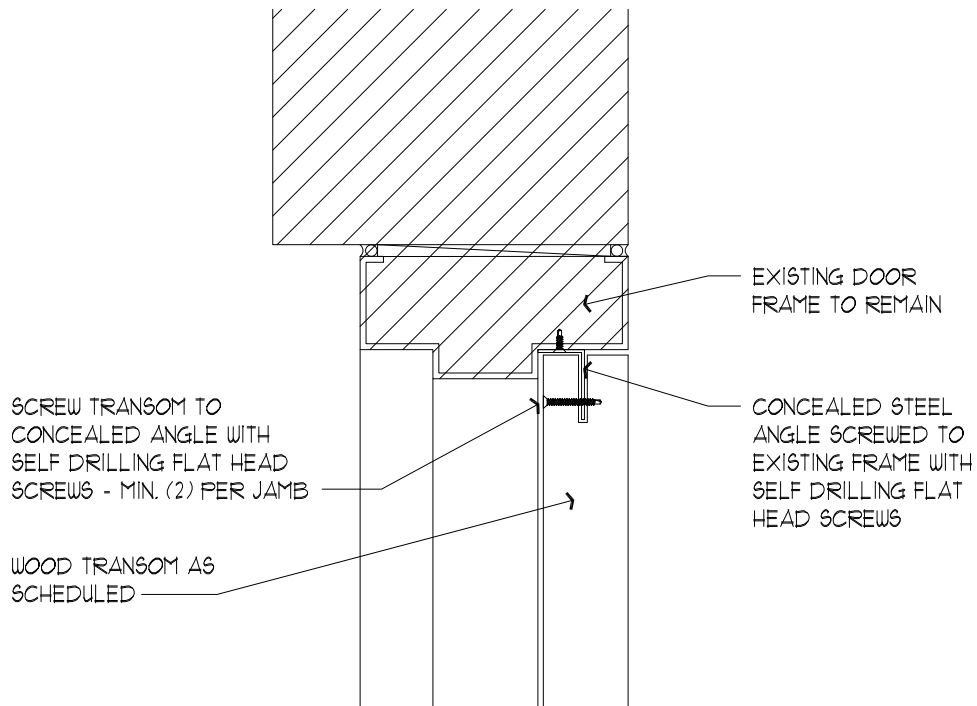
Project For: Special School District of St. Louis County
Door Replacement at
Neuwoehner High School
 12112 Clayton Road
 St. Louis, Missouri 63131

DATE August 8, 2019
 PROJ. NO. 18004

ARCHITECT
 11 East Lockwood Avenue, Ste. 200
 St. Louis, MO 63119
 T 314 727 8500 F 314 727 4040
 www.dharch.com
 DICKINSON HUSSMAN ARCHITECTS

ORIGINAL DRAWING A6.1
 ORIGINAL DRAWING DATE July 23, 2019

SDA-01



3

**TYPICAL WOOD TRANSOM
CONNECTION JAMB DETAIL**
SCALE: 3"=1'-0"



Project For:

Special School District of St. Louis County
**Door Replacement at
 Neuwoehner High School**
 12112 Clayton Road
 St. Louis, Missouri 63131

DATE August 8, 2019
 PROJ. NO. 18004

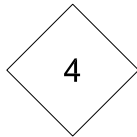
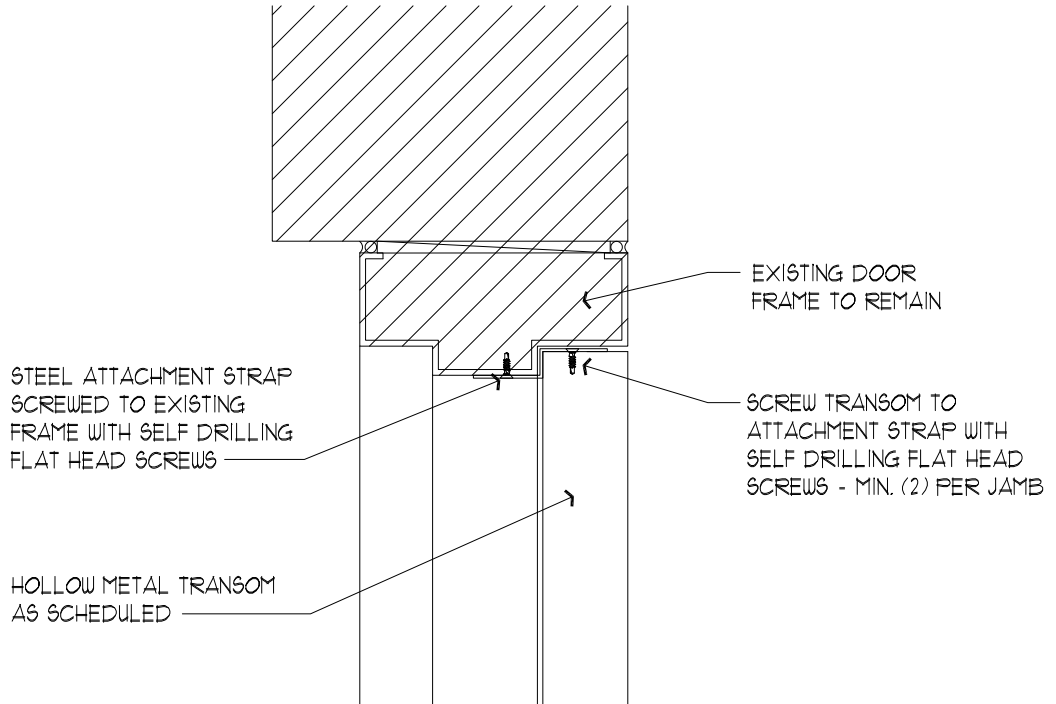
ARCHITECT

11 East Lockwood Avenue, Ste. 200
 St. Louis, MO 63119
 T 314 727 8500 F 314 727 4040
 www.dharch.com
 DICKINSON HUSSMAN ARCHITECTS

ORIGINAL DRAWING
 ORIGINAL DRAWING DATE

A6.1
 July 23, 2019

SDA-02



**TYPICAL HOLLOW METAL TRANSOM
CONNECTION JAMB DETAIL**
SCALE: 3"=1'-0"



Project For:

Special School District of St. Louis County
**Door Replacement at
 Neuwoehner High School**
 12112 Clayton Road
 St. Louis, Missouri 63131

DATE August 8, 2019
 PROJ. NO. 18004

ARCHITECT

11 East Lockwood Avenue, Ste. 200
 St. Louis, MO 63119
 T 314 727 8500 F 314 727 4040
 www.dharch.com
 DICKINSON HUSSMAN ARCHITECTS

ORIGINAL DRAWING
 ORIGINAL DRAWING DATE

A6.1
 July 23, 2019

SDA-03